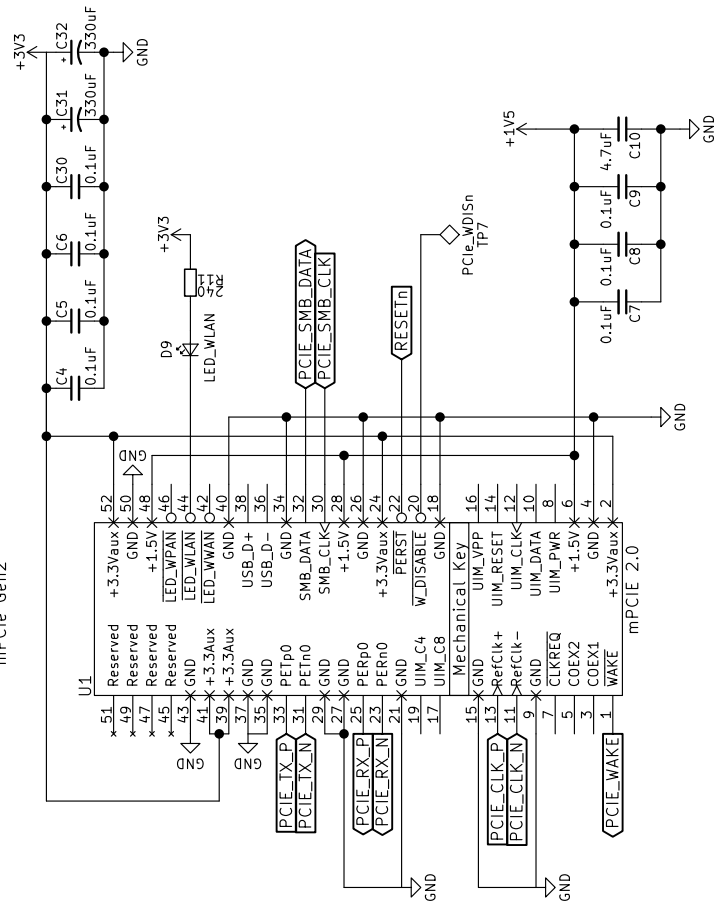
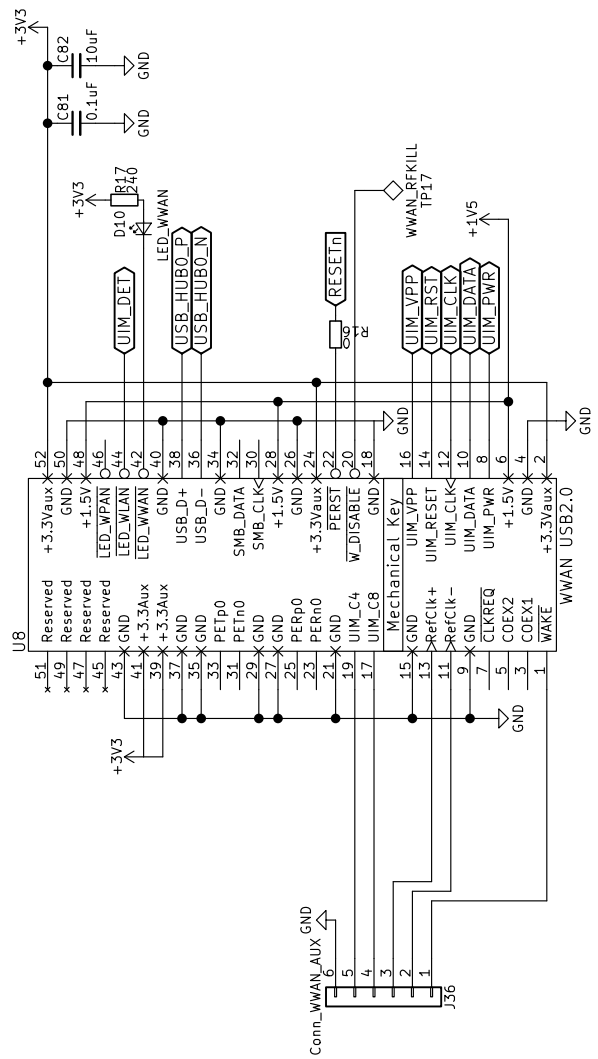


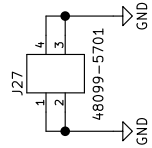
mPCIe Gen2



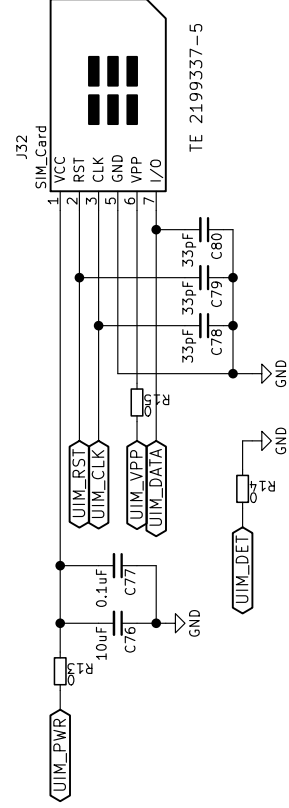
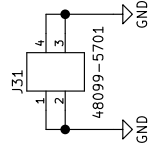
WWAN USB2.0



mPCIe Latch



WWAN Latch



Always check LTE card datasheet!

License: GPLv3 <https://www.gnu.org/licenses/gpl-3.0.txt>
 Copyright 2017,2018 Lukas F. Hartmann / mntmn

<https://mntmn.com/reform>
MNT Media and Technology UG
 Sheet: /ReformPCie/
 File: reform-pcie.sch

Title: MNT Reform Power / Charging

Size: A4 Date: 2018-06-05
 KiCad E.D.A. kicad 5.0.0-rc2+dfsg1-3

Rev: 0.4
 Id: 4/7