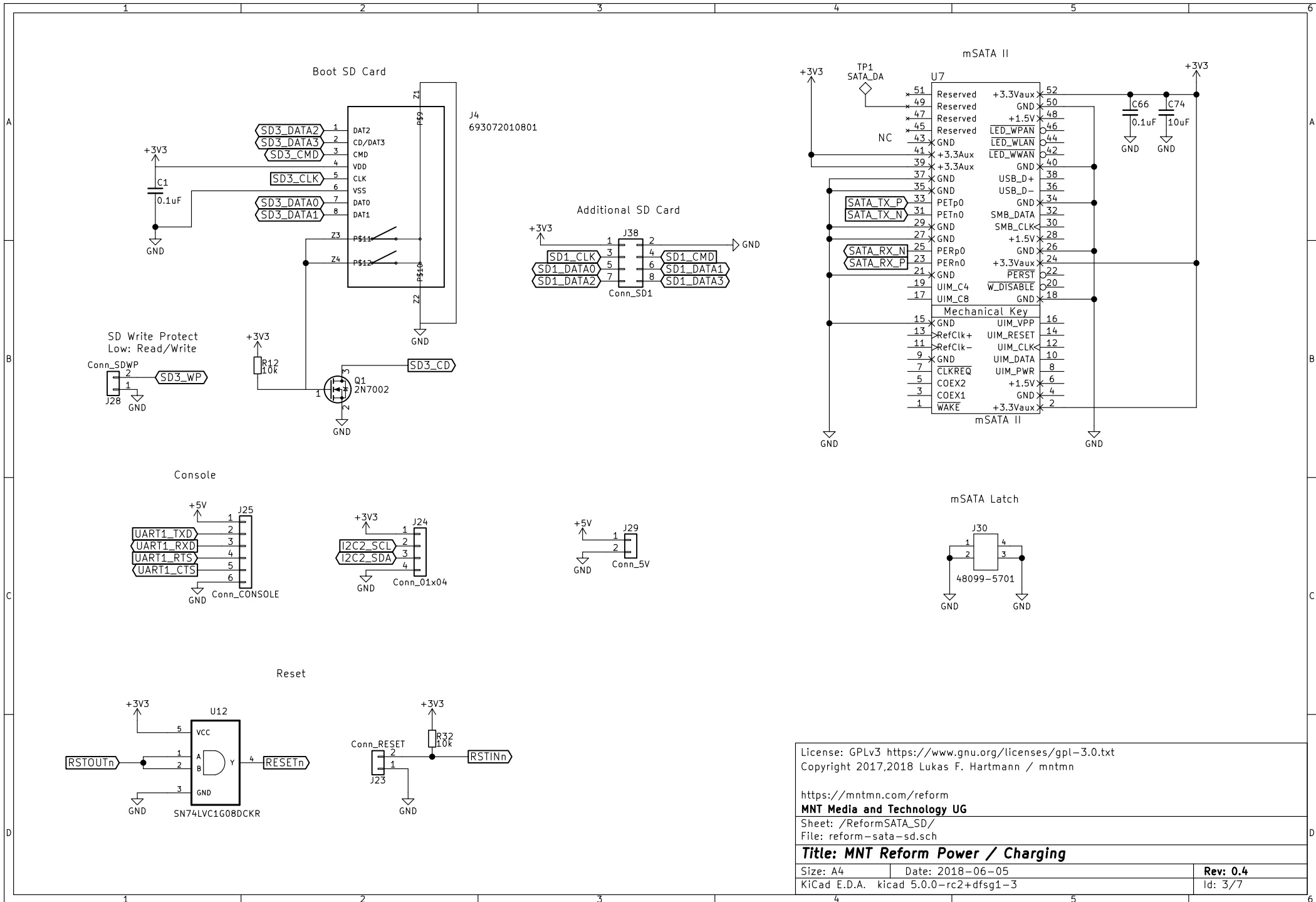


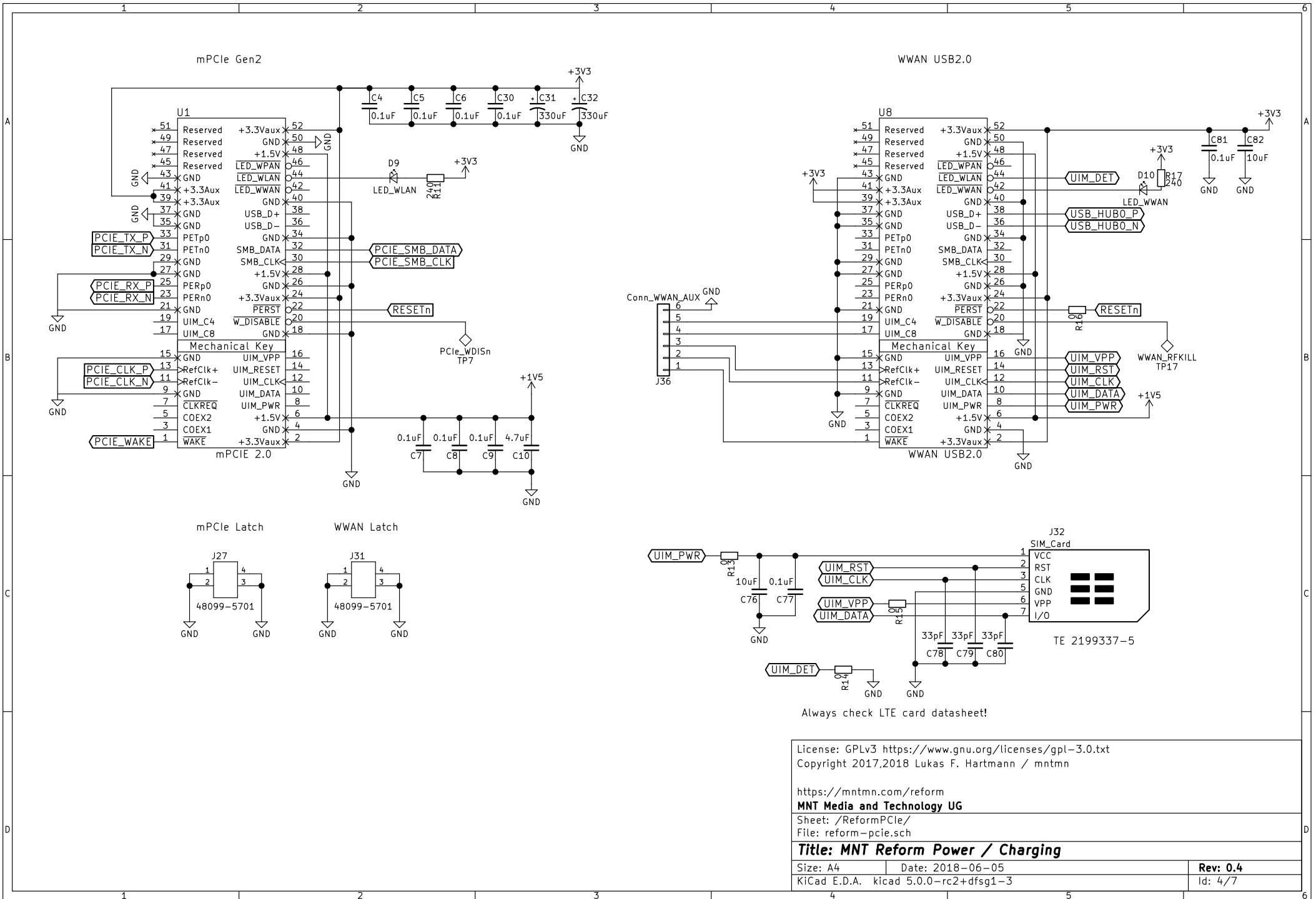
License: GPLv3 <https://www.gnu.org/licenses/gpl-3.0.txt>  
 Copyright 2017,2018 Lukas F. Hartmann / mntmn

<https://mntmn.com/reform>  
**MNT Media and Technology UG**  
 Sheet: /ReformPower/  
 File: reform-power.sch

**Title: MNT Reform Power / Charging**

Size: A4 Date: 2018-06-05  
 KiCad E.D.A. kicad 5.0.0-rc2+dfsg1-3 Rev: 0.4  
 Id: 2/7





Always check LTE card datasheet!

License: GPLv3 <https://www.gnu.org/licenses/gpl-3.0.txt>  
 Copyright 2017,2018 Lukas F. Hartmann / mntmn

<https://mntmn.com/reform>

**MNT Media and Technology UG**

Sheet: /ReformPCIe/

File: reform-pcie.sch

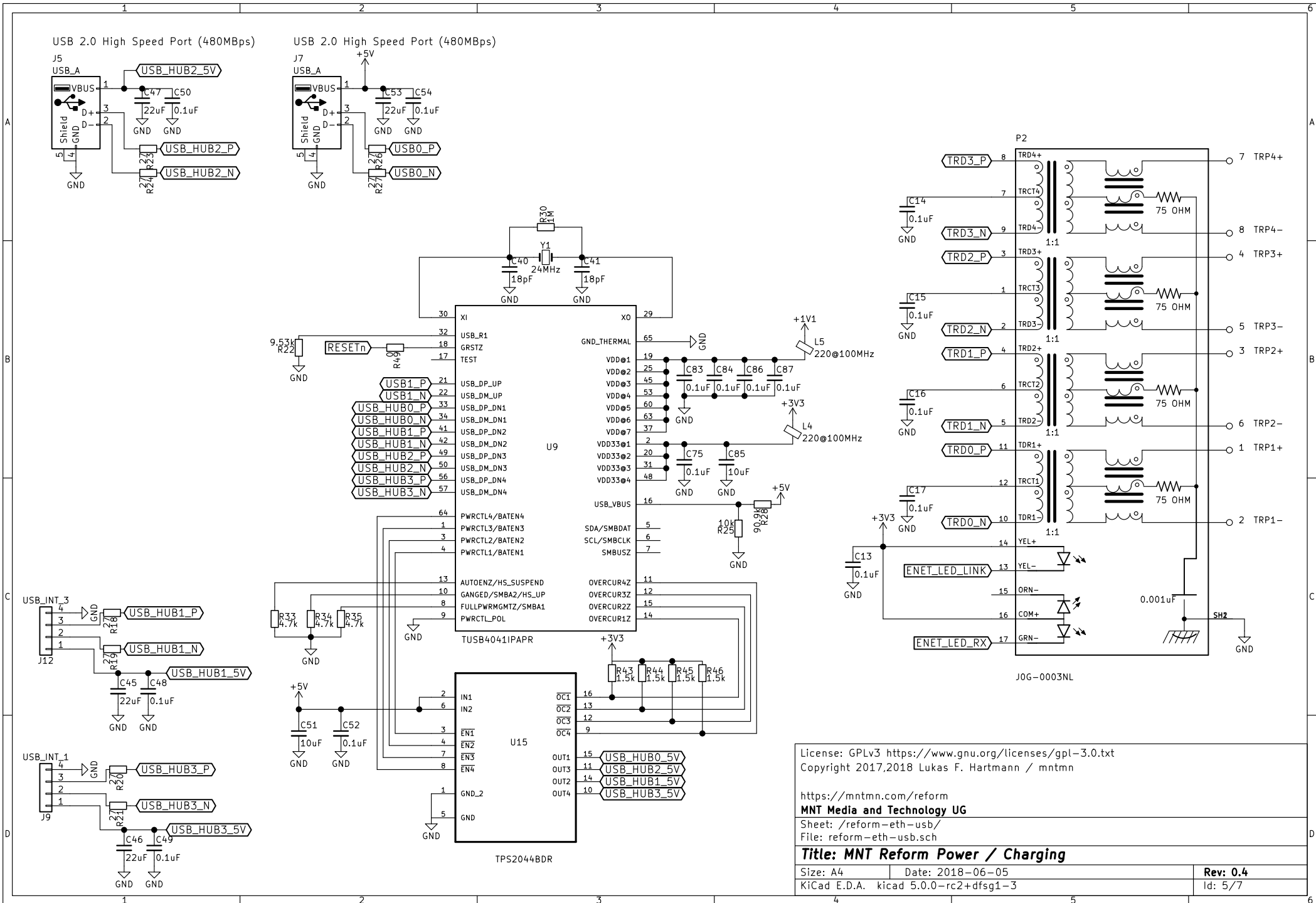
**Title: MNT Reform Power / Charging**

Size: A4 Date: 2018-06-05

KiCad E.D.A. kicad 5.0.0-rc2+dfsg1-3

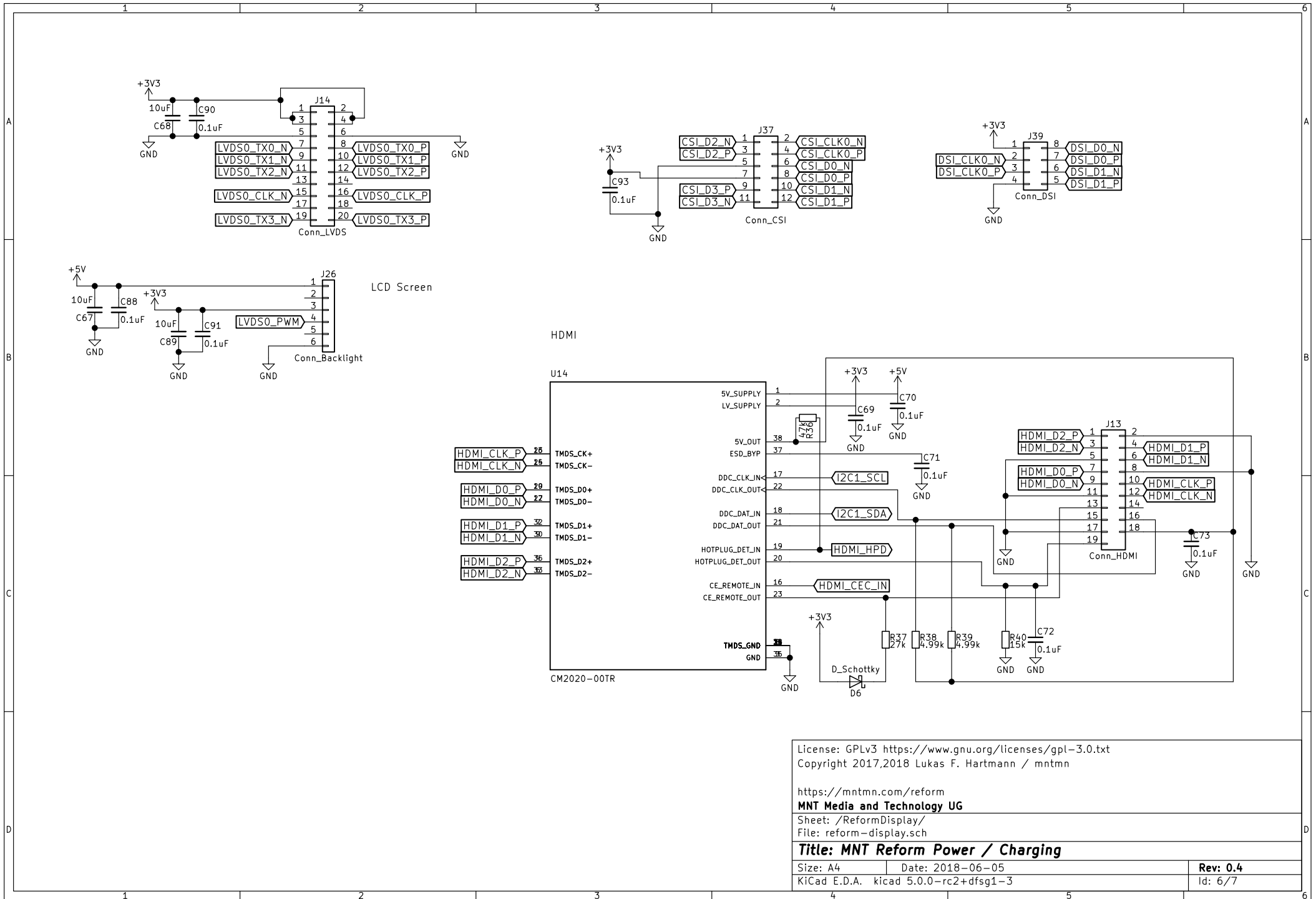
Rev: 0.4

Id: 4/7



License: GPLv3 <https://www.gnu.org/licenses/gpl-3.0.txt>  
 Copyright 2017,2018 Lukas F. Hartmann / mntmn  
<https://mntmn.com/reform>  
**MNT Media and Technology UG**  
 Sheet: /reform-eth-usb/  
 File: reform-eth-usb.sch

<b>Title: MNT Reform Power / Charging</b>	
Size: A4	Date: 2018-06-05
KiCad E.D.A. kicad 5.0.0-rc2+dfsg1-3	Rev: 0.4
	Id: 5/7

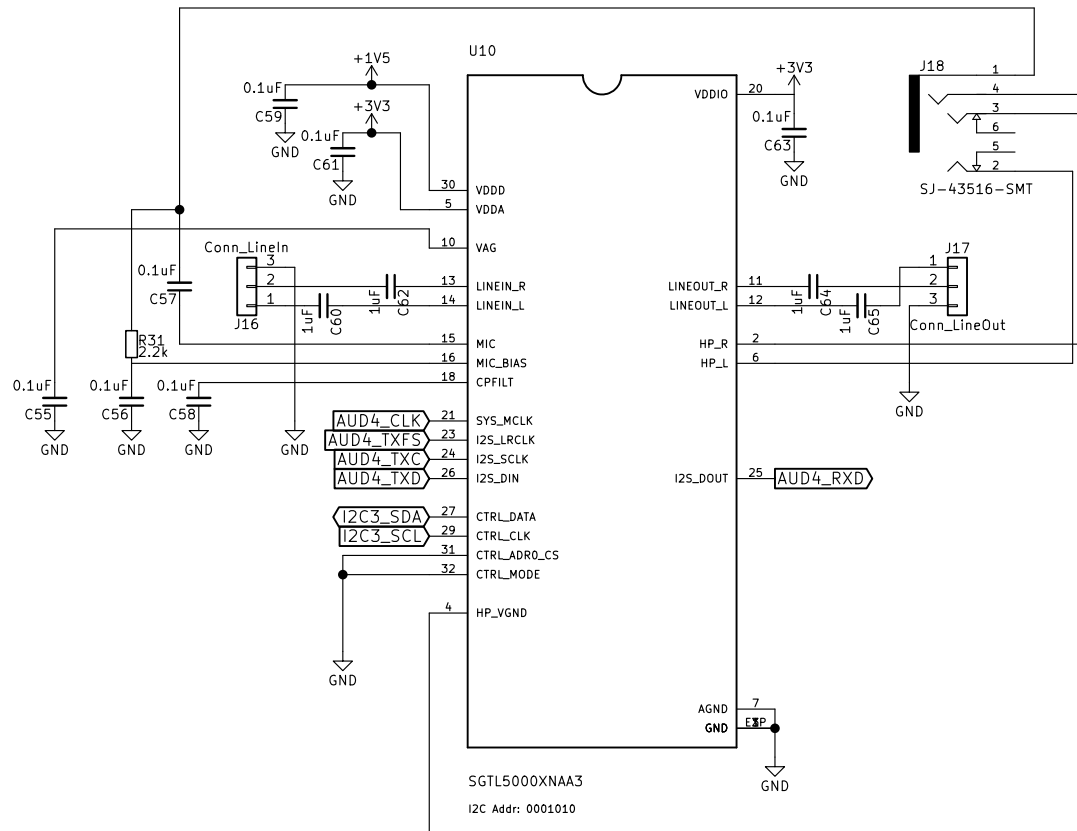


License: GPLv3 <https://www.gnu.org/licenses/gpl-3.0.txt>  
 Copyright 2017,2018 Lukas F. Hartmann / mntmn

<https://mntmn.com/reform>  
**MNT Media and Technology UG**  
 Sheet: /ReformDisplay/  
 File: reform-display.sch

**Title: MNT Reform Power / Charging**

Size: A4	Date: 2018-06-05	Rev: 0.4
KiCad E.D.A. kicad 5.0.0-rc2+dfsg1-3		Id: 6/7



License: GPLv3 <https://www.gnu.org/licenses/gpl-3.0.txt>  
 Copyright 2017,2018 Lukas F. Hartmann / mntmn

<https://mntmn.com/reform>

**MNT Media and Technology UG**

Sheet: /ReformAudio/

File: reform-audio.sch

**Title: MNT Reform Power / Charging**

Size: A4

Date: 2018-06-05

Rev: 0.4

KiCad E.D.A. kicad 5.0.0-rc2+dfsg1-3

Id: 7/7